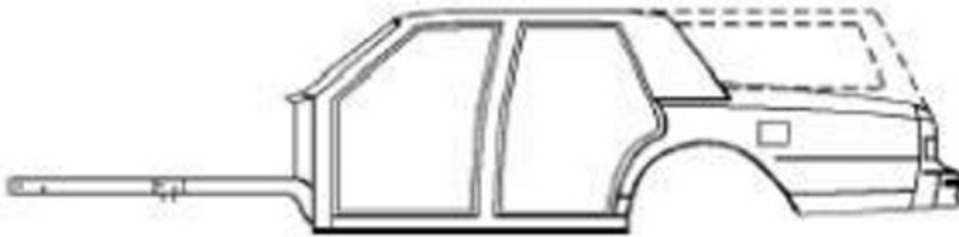
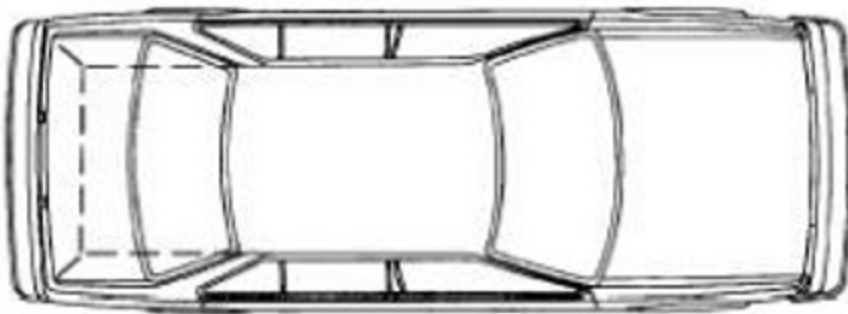




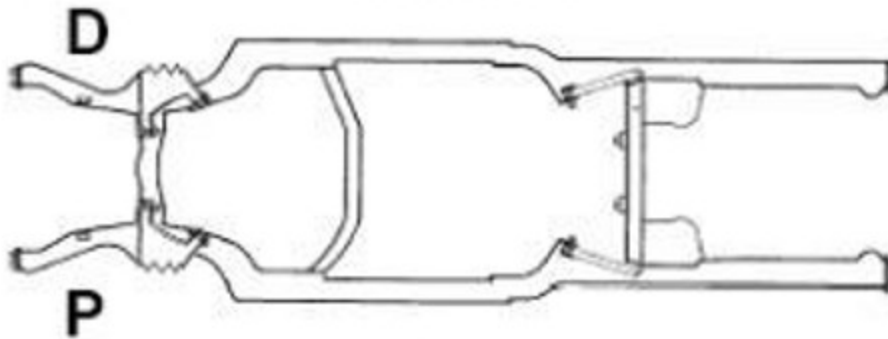
PASSENGER SIDE



DRIVER SIDE



TOP VIEW



BOTTOM VIEW

4 Door/Station Wagon Frame

To: _____ From: _____ Date: _____ RO# _____